

FONTANA FLORENCE WALL MOUNT BRUSHED NICKEL WATERFALL RAINFALL SHOWER SET



PRIOR TO INSTALLATION

Please read installation instructions below. All plumbing should be installed in accordance with applicable building codes and regulations.

Unpack and inspect the items for any shipping damages. If you find damages, do not install.

All products must be installed by a professional and certified plumber otherwise warranty may be voided.

POSSIBLE TOOLS REQUIRED*



Plumbers Tape



Tape Measure



Level



Adjustable Wrench



Hex Wrench



Thread Sealant



Drill



Pencil or Marker

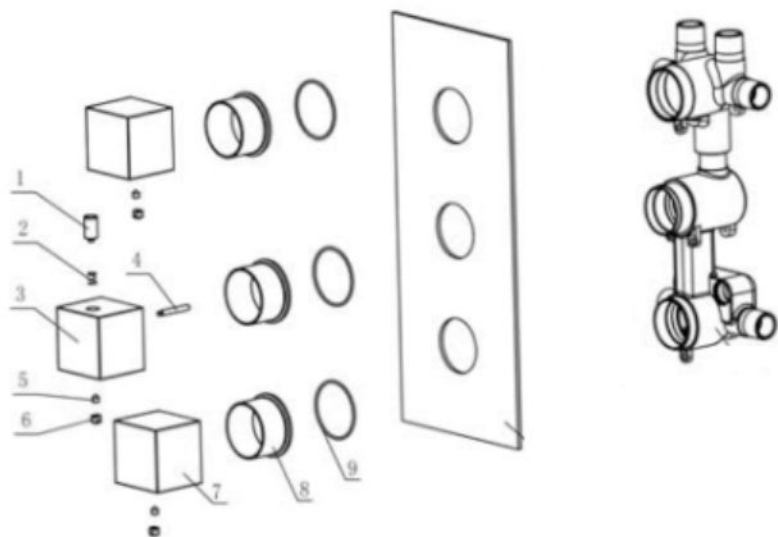
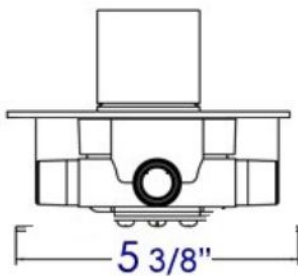
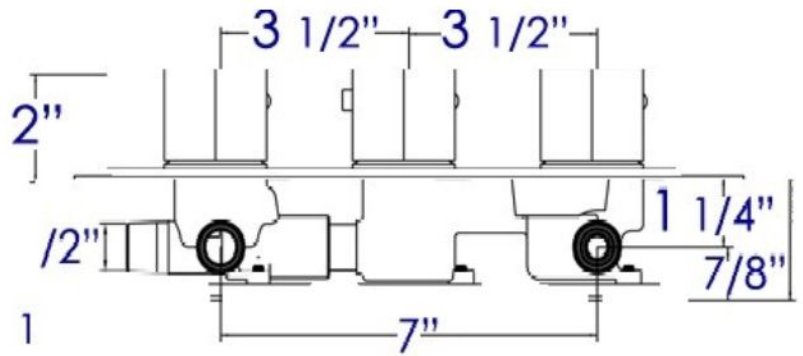
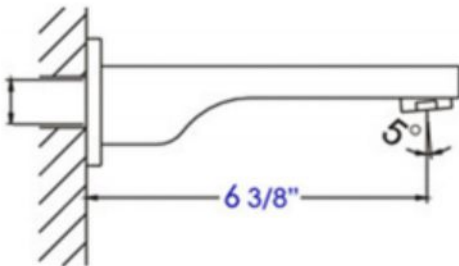
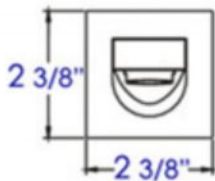
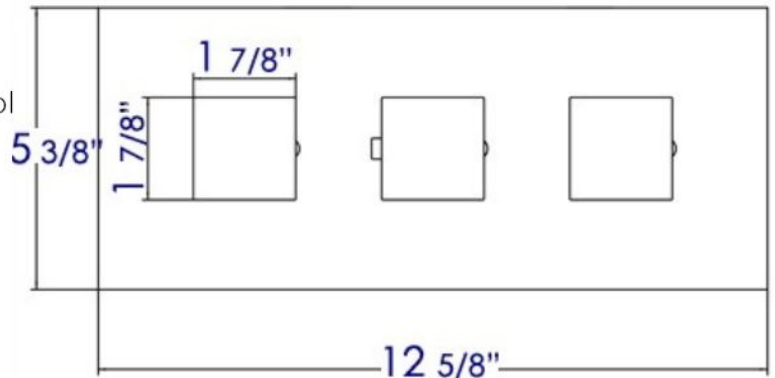


Screwdriver

*not included

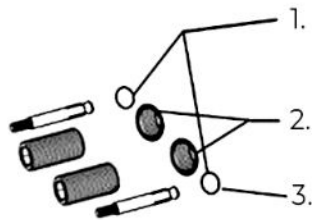
Specification

Model Number: FS691CSQ
 Type: RainFall/WaterFall Shower System
 Finish : Brushed Nickel
 Cold and Hot Water: Thermostatic Control
 Number of Handle: Triple Handles
 Surface Treatment: Polished
 Type: Fixed Support Type
 Valve Core Material: Ceramic
 Installation Type: Wall Mount
 Size: 5.1x7.8 inch
 Top Shower Head Size: 21.6"√69.05"(55√623cm)
 Hand Shower Hose: 59" (150CM);
 Hand Shower Material: Brass
 Connection: G1/2

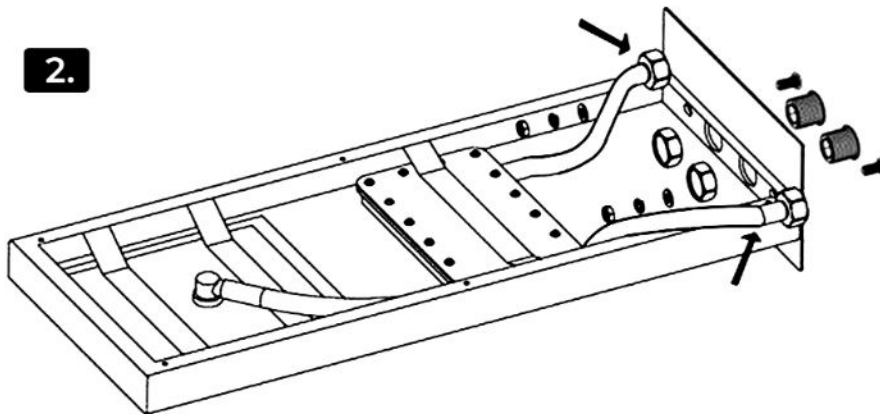


1. Open the top cover and drill according to the marked position. Mark by the position of the four holes. Take care to avoid wires and pipes to prevent damage. Be sure to confirm that the four holes are on the same horizontal line.
2. Two inlet fittings are connected to the pipe joint of the wall; then the nut, expansion screw, and inlet pipe are connected.
3. Reinstall the top cover.

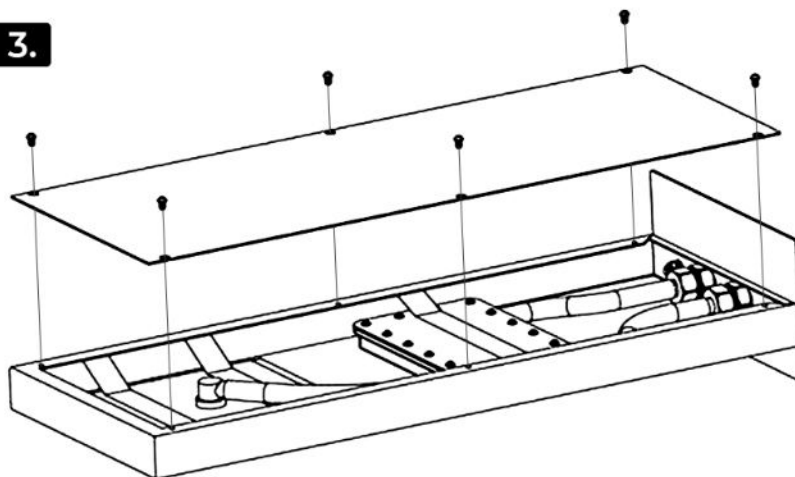
1.



2.

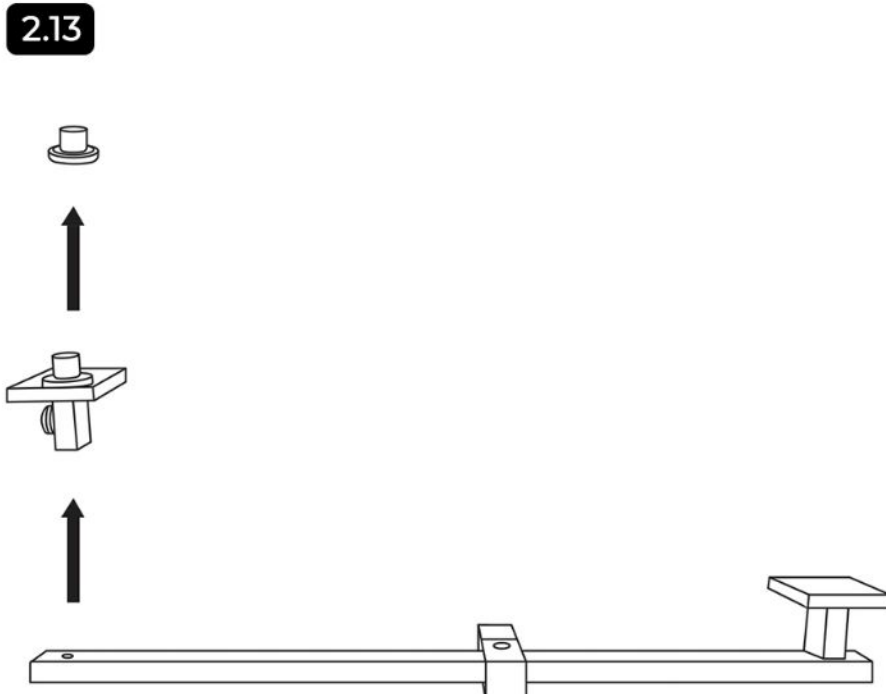


3.

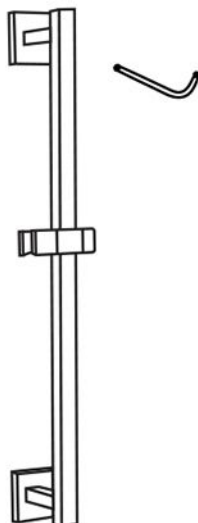


Hand-Held Shower

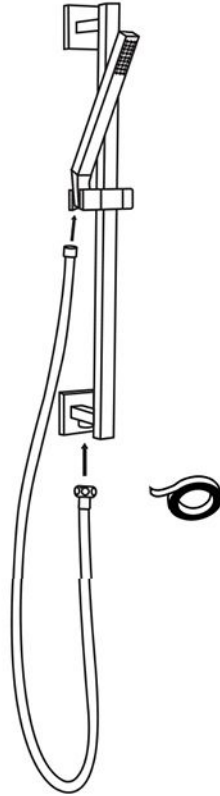
To install the hand shower's slide bar, first, remove the water supply elbow from the slide bar by loosening the set screw underneath. Remove the brass nipple from the elbow by unthreading it.



1. Thread the brass nipple into its prepared female fitting. Apply plumber's tape or thread sealant to the threads before attaching. Tighten firmly using an adjustable wrench.
2. Install the slide bar's upper mounting bracket. The bracket will need to be installed 21 1/2" above the water supply elbow, from center-to-center. Use the provided anchors and screws to secure the bracket to the wall.
3. Tip: If drilling through tile, you must use a masonry drill bit and drill very carefully to avoid cracking the tile.
4. Attach the slide bar by hanging it onto the installed mounting bracket and water supply elbow. Secure the slide bar by tightening the set screws located on the bottom of the bracket and elbow.



5. Attach the hand shower to the water supply elbow using the hand shower hose. Apply thread sealant or plumber's tape to the threads before tightening. Hand tighten the connections firmly.



Care and Maintenance

It is recommended to use regular soap and hot water along with a non-abrasive cloth or sponge to regularly clean the product. This avoids any nasty build up or deposits which would be tougher to remove.

If you feel the use of stronger cleaning solutions or chemicals is necessary always test the cleaning solution or chemical on an inconspicuous area before applying to the entire surface.

Wipe all surfaces clean and rinse completely with water immediately after applying cleaner.

Rinse and dry any overspray that lands on nearby surfaces.

DO NOT ALLOW THE CLEANER TO SOAK.